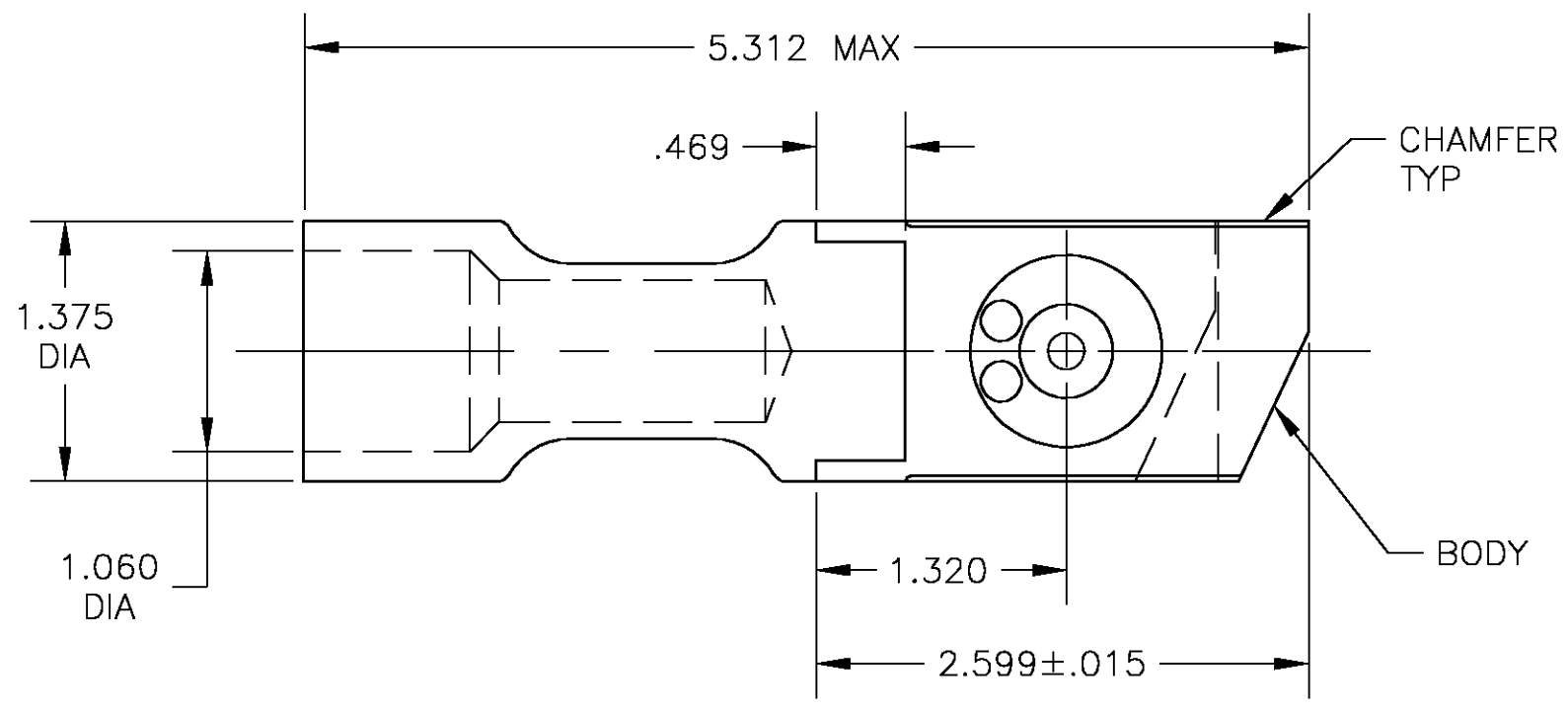
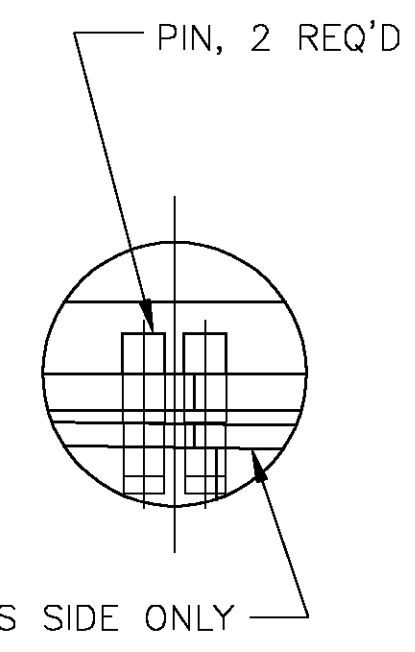
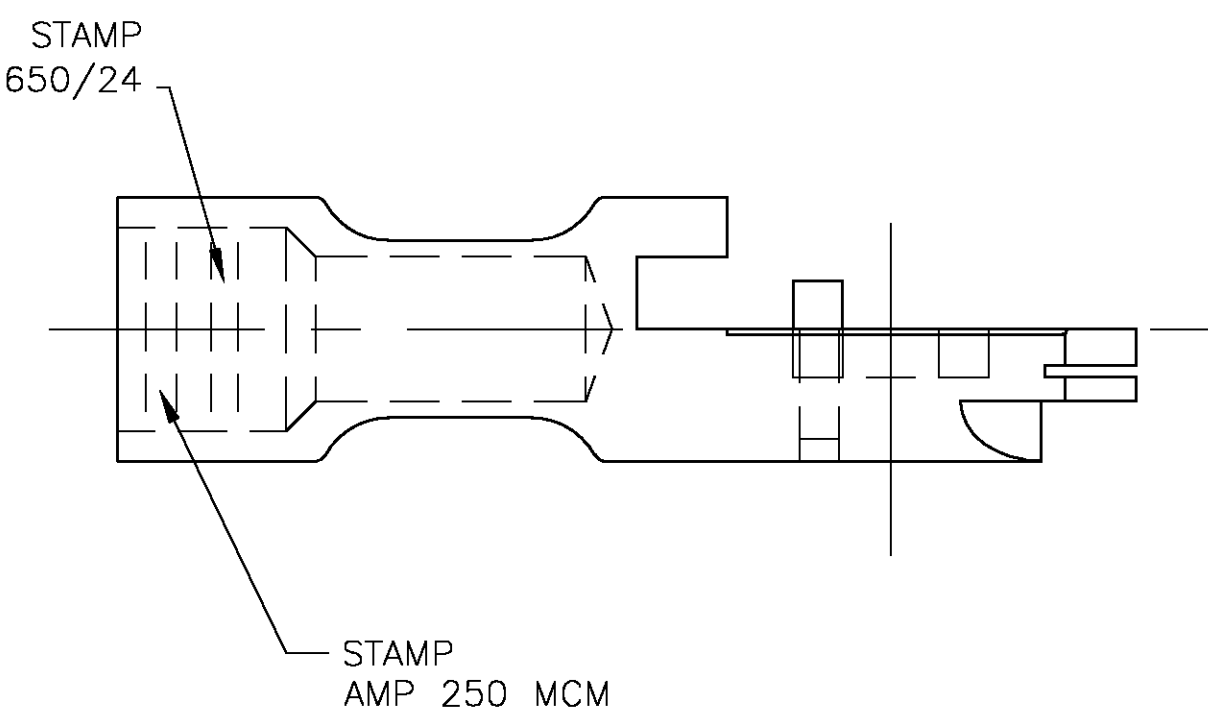


THIS DRAWING IS UNPUBLISHED. RELEASED FOR PUBLICATION
 © COPYRIGHT BY TYCO ELECTRONICS CORPORATION. ALL RIGHTS RESERVED.

LOC	DIST	REVISIONS			
P	LTR	DESCRIPTION	DATE	DWN	APVD
G	14	H	REV PER 0G3A-0356-04	10MAY04	JR MS



- 1 MATERIAL:
BODY & PIN: BRASS PER ASTM B36
- 2 FINISH:
BODY & PIN: .000100 MIN SILVER PLATE PER QQ-S-365.



53446-1
PART NO

THIS DRAWING IS A CONTROLLED DOCUMENT.		DWN jr_ruth 10MAY04	Tyco Electronics Corporation Harrisburg, PA 17105		
DIMENSIONS: INCHES		CHK M SPICER 10MAY04			
TOLERANCES UNLESS OTHERWISE SPECIFIED:		APVD M SPICER 10MAY04	NAME AMPOWER, QUICK-DISCONNECT WIRE SIZE: 250 MCM		
		PRODUCT SPEC	SIZE A3		
MATERIAL SEE NOTES		FINISH SEE NOTES	CAGE CODE 00779	DRAWING NO C-53446	RESTRICTED TO
		APPLICATION SPEC	SCALE 1:1		
		WEIGHT -	SHEET 1 OF 1		
		CUSTOMER DRAWING	REV H		